

nanit

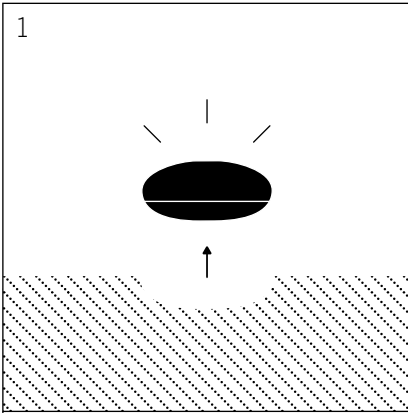
User Guide

TABLE OF CONTENTS///

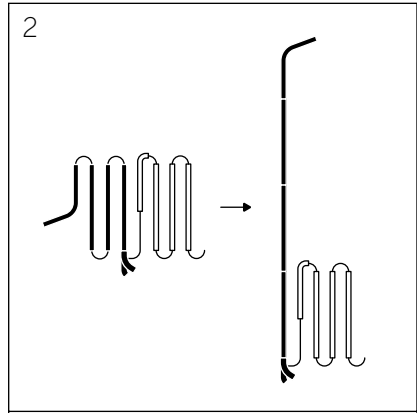
- Safety Instructions ----- 1
- Assembly Instructions ----- 2
- FCC and IC Canada Compliance Information----- 5
- Nanit Limited Warranty ----- 7

SAFETY INSTRUCTIONS///

- Strangulation Hazard—Children have STRANGLED in cords. NEVER attempt to use cord without the protective covering. Check protective covering before each use to ensure that the cord is not exposed to your child. Immediately discontinue use if protective covering is damaged or broken.
- Adult assembly is required. Keep small parts away from children when assembling.
- This product cannot replace adult supervision. Ensure your child's health by checking on him/her regularly.
- This device is designed for indoor use only.
- This product is not a toy. Do not allow children to play with it.
- Use only the AC power supply included with your Nanit.

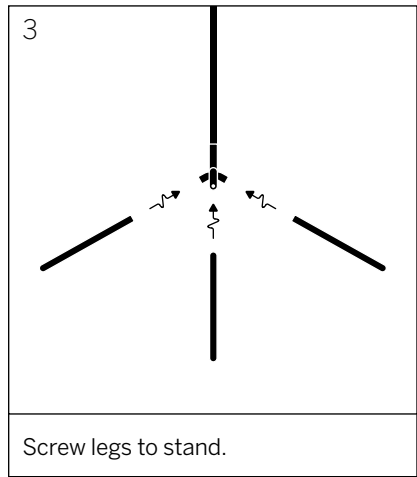


Remove camera from box.

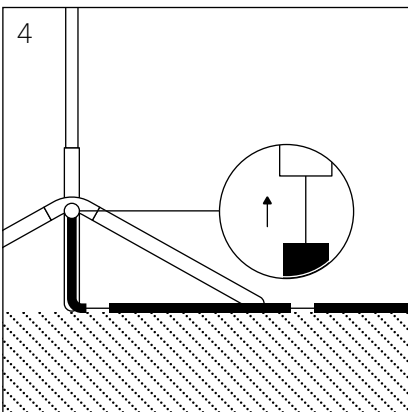


Assemble stand, top to bottom.

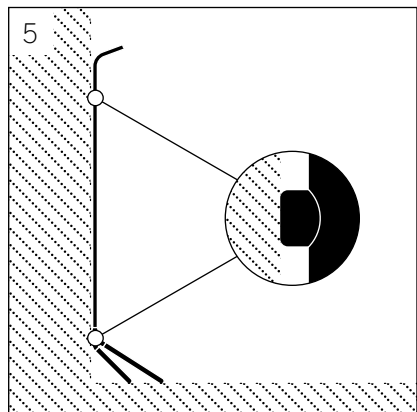
If you want Nanit to stand away from the wall, see Free Standing instructions, page 4.



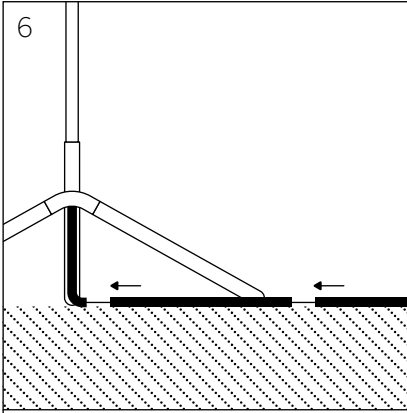
Screw legs to stand.



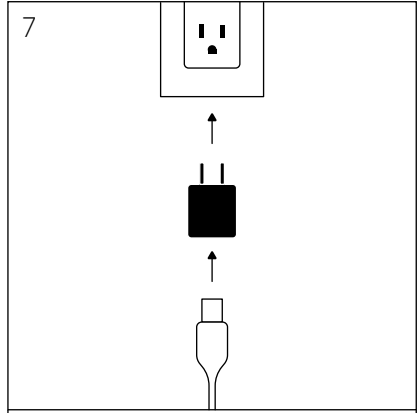
Connect L-shape channel to stand.



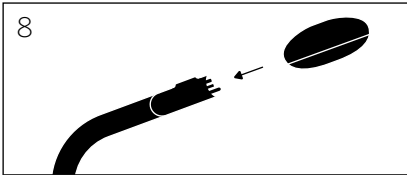
Position bumper and tighten stand.



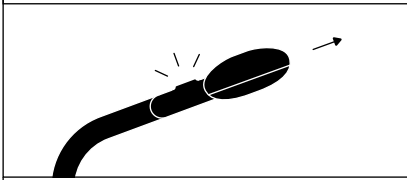
6
Connect cable management channels.



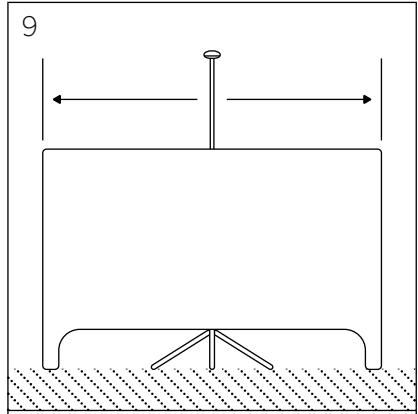
7
Connect electrical cord.



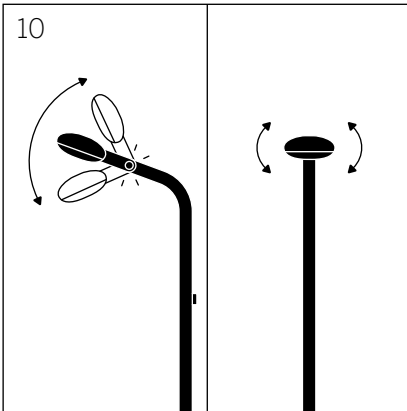
8
Attach camera to stand.



To detach, hold button.



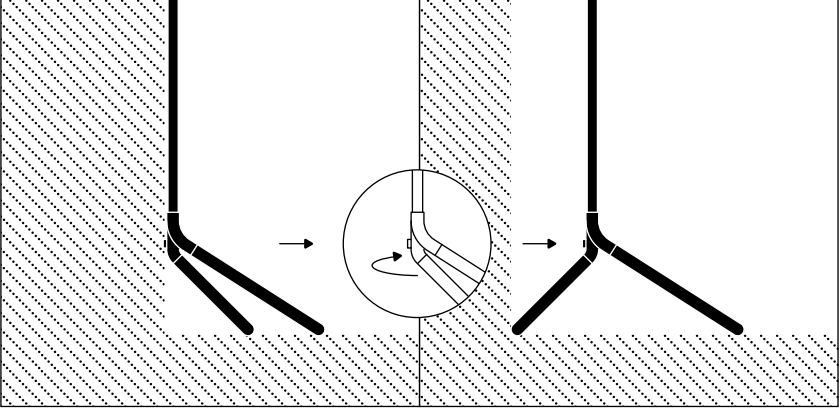
9
Place next to crib, centered.



10
Adjust camera angle, tighten dial.

And you're done!
Now download the Nanit app and
follow the on-screen instructions.
Enjoy!

Alternate assembly: Switch to Free Standing mode in 4 steps.

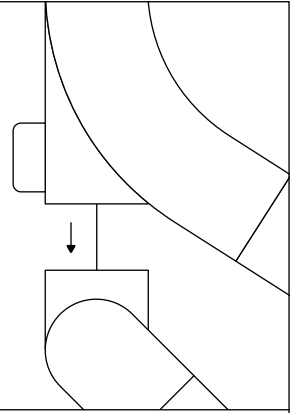


1



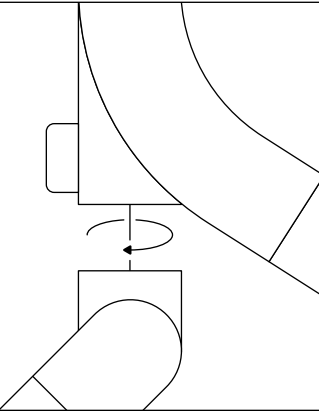
Loosen screw.

2



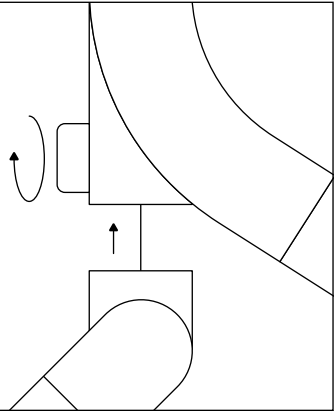
Remove Y connector.

3



Rotate 180°.

4



Insert Y connector and tighten.

FCC AND INDUSTRY CANADA INFORMATION///

FCC Compliance Notice

This equipment has been tested and found to comply with the limits for a Class B digital device, pursuant to part 15 of the FCC Rules. These limits are designed to provide reasonable protection against harmful interference in a residential installation. This equipment generates, uses and can radiate radio frequency energy and, if not installed and used in accordance with the instructions, may cause harmful interference to radio communications. However, there is no guarantee that interference will not occur in a particular installation. If this equipment does cause harmful interference to radio or television reception, which can be determined by turning the equipment off and on, the user is encouraged to try to correct the interference by one or more of the following measures:

- Reorient or relocate the receiving antenna.
- Increase the separation between the equipment and receiver.
- Connect the equipment into an outlet on a circuit different from that to which the receiver is connected.
- Consult the dealer or an experienced radio/TV technician for help.

This device complies with part 15 of FCC rules. Operation is subject to the following two conditions:

1. This device may not cause harmful interference.
2. This device must accept any interference received, including interference that may cause undesired operation.

Change or modifications that are not expressly approved by the manufacturer could void the user's authority to operate the equipment.

FCC RF Exposure Information

This equipment complies with FCC radiation exposure limits set forth for an uncontrolled environment. In order to avoid the possibility of exceeding the FCC radio frequency exposure limits, human proximity to the antenna shall not be less than 20cm during normal operation.

Industry Canada Compliance Notice

This device complies with Industry Canada license-exempt RSS standard(s). Operation is subject to the following two conditions:

1. this device may not cause interference, and
2. this device must accept any interference, including interference that may cause undesired operation of the device.

This Class B digital apparatus complies with Canadian ICES-003.

Restrictions:

The device could automatically discontinue transmission in case of absence of information to transmit, or operational failure. Note that this is not intended to prohibit transmission of control or signaling information or the use of repetitive codes where required by the technology.

1. the device for operation in the band 5150-5250MHz is only for indoor use to reduce the potential for harmful interference to co-channel mobile satellite systems;
2. the maximum antenna gain permitted for devices in the bands 5250-5350MHz and 5470-5725MHz shall comply with the e.i.r.p. limit; and
3. the maximum antenna gain permitted for devices in the band 5725-5825MHz shall comply with the e.i.r.p.

limits specified for point-to-point and non point-to-point operation as appropriate.

4. High-power radars are allocated as primary users (i.e. priority users) of the bands 5250-5350 MHz and 5650-5850 MHz and that these radars could cause interference and/or damage to LE-LAN devices.

This equipment complies with IC RSS-102 radiation exposure limits set forth for an uncontrolled environment. This equipment should be installed and operated with minimum distance of 20 cm from all persons.

IC Radiation Exposure Statement:

This equipment complies with IC RSS-102 radiation exposure limits set forth for an uncontrolled environment. This equipment should be installed and operated with minimum distance 20 cm between the radiator & your body.

Réglementation IC:

Cet appareil est conforme aux normes d'exemption de licence RSS d'Industrie Canada.

Son utilisation est soumise aux deux conditions suivantes:

1. Cet appareil ne doit pas provoquer d'interférences, et
2. cet appareil doit supporter toute interférence, y compris celles pouvant provoquer un fonctionnement non souhaité de l'appareil.

NMB-003 5 édition

CAN ICES-3(B)/NMB-3(B)

L'appareil pourrait cesser d'émettre automatiquement en cas d'absence d'informations à transmettre, ou de panne. Il convient cependant de souligner que cela n'est pas destiné à interdire la transmission d'informations de contrôle ou de signalisation de codes répétitifs lorsque la technologie l'exige.

1. L'appareil travaille sur la bande de 5150 à 5250 MHz, à n'utiliser qu'à l'intérieur, pour réduire les auto-interférences potentielles sur les canaux des systèmes portables via satellite.
2. Le gain d'antenne maximal (pour les appareils utilisant les bandes de 5250-5350 MHz et 5470-5725 MHz) doit respecter la limite de PIRE ;
3. Le gain d'antenne maximal (pour les appareils utilisant les bandes de 5725-5850 MHz) doit respecter les limites de PIRE spécifiées pour le fonctionnement de point à point ou non, selon le cas.
4. De plus, les radars de haute puissance sont assignés comme utilisateurs primaires (c'est à dire prioritaires) de la bande de 5250-5350 MHz, et ces radars pourraient produire des interférences et/ou endommager les appareils LE-LAN.

Déclaration IC sur l'exposition au rayonnement :

Cet appareil est conforme aux limites fixées par IC sous RSS-102 pour l'exposition au rayonnement dans un environnement non contrôlé. Cet appareil doit être installé et utilisé avec une distance d'au moins 20 cm entre la source du rayonnement et votre corps.

NANIT LIMITED WARRANTY///

THIS LIMITED WARRANTY CONTAINS IMPORTANT INFORMATION ABOUT YOUR RIGHTS AND OBLIGATIONS, AS WELL AS LIMITATIONS AND EXCLUSIONS THAT MAY APPLY TO YOU.

1. WHAT THIS LIMITED WARRANTY COVERS; PERIOD OF COVERAGE.

Udisense, Inc. DBA: Nanit ("Nanit"), located at 244 Fifth Avenue, Suite #2702 New York, NY 10001, warrants to the owner of the enclosed product that the product contained in this box ("Product") will be free from defects in materials and workmanship for a period of one (1) year from the date of delivery following the original retail purchase (the "Warranty Period"). If the Product fails to conform to this Limited Warranty during the Warranty Period, Nanit will, at its sole discretion, either (a) repair or replace any defective Product or component; or (b) accept the return of the Product and refund the money actually paid by the original purchaser for the Product. Repair or replacement may be made with a new or refurbished product or components, at Nanit's sole discretion. If the Product or a component incorporated within it is no longer available, Nanit may, at Nanit's sole discretion, replace the Product with a similar product of similar function. This is your sole and exclusive remedy for breach of this Limited Warranty. Any Product that has either been repaired or replaced under this Limited Warranty will be covered by the terms of this Limited Warranty for the longer of (a) ninety (90) days from the date of delivery of the repaired Product or replacement Product, or (b) the remaining Warranty Period. This Limited Warranty is transferable from the original purchaser to subsequent owners, but the Warranty Period will not be extended in duration or expanded in coverage for any such transfer.

2. TOTAL SATISFACTION RETURN POLICY.

If you are the original purchaser of the Product and you are not satisfied with this Product for any reason, you may return it in its original condition within thirty (30) days of the original purchase and receive a full refund.

3. WARRANTY CONDITIONS; HOW TO GET SERVICE IF YOU WANT TO CLAIM UNDER THIS LIMITED WARRANTY.

Before making a claim under this Limited Warranty, the owner of the Product must (a) notify Nanit of the intention to claim by visiting support.nanit.com during the Warranty Period and providing a description of the alleged failure, and (b) comply with Nanit's return shipping instructions. Nanit will have no warranty obligations with respect to a returned Product if it determines, in its reasonable discretion after examination of the returned Product, that the Product is an Ineligible Product (defined below).

4. WHAT THIS LIMITED WARRANTY DOES NOT COVER.

This Limited Warranty does not cover the following (collectively "Ineligible Products"): Products marked as "sample" or "Not for Sale", or sold "AS IS"; or Products that have been subject to:

(a) modifications, alterations, tampering, or improper maintenance or repairs; (b) handling, storage installation, testing, or use not in accordance with the Terms of Service or other instructions provided by Nanit; (c) abuse or misuse of the Product; (d) breakdowns, fluctuations, or interruptions in electric power or the telecommunications network; or (e) Acts of God, including but not limited to lightning, flood, tornado, earthquake, or hurricane. This Limited Warranty does not cover consumable parts, including batteries, unless damage is due to defects in materials or workmanship of the Product, or software (even if packaged or sold with the product). Nanit recommends that you use only authorized service providers for maintenance or repair. Unauthorized use of the Product or software can impair the Product's performance and may invalidate this Limited Warranty. This Limited Warranty does not apply to anything other than the Products, including any software, even if packaged or sold with the Products. Software distributed by Nanit (including, but not limited to system software) is not covered under this Limited Warranty. Refer to the licensing agreement accompanying the software for details of your rights with respect to its use. Nanit does not warrant that the operation of the product will be uninterrupted or error-free.

5. NOT A MEDICAL DEVICE.

The services and the products are not intended to be used as a medical device and the products are not

medical devices. Furthermore, these services and the products are neither regulated nor approved by the U.S. Food and drug administration, and are not designed to detect or prevent causes of any medical condition. The services are not a substitute for medical care or adult supervision.

You acknowledge, understand and agree that your use of the services and the products is entirely at your own risk.

6. DISCLAIMER OF WARRANTIES.

Except as stated above in this limited warranty, and to the maximum extent permitted by applicable law, Nanit disclaims all express, implied, and statutory warranties and conditions with respect to the product, including the implied warranties of merchantability, fitness for a particular purpose and non-infringement. To the maximum extent permitted by applicable law, Nanit also limits the duration of any applicable implied warranties or conditions to the duration of this limited warranty.

7. LIMITATION OF DAMAGES.

In addition to the above warranty disclaimers, in no event will Nanit be liable for any consequential, incidental, exemplary, or special damages, including any damages for lost data or lost profits, arising from or relating to this limited warranty or the product, and Nanit's total cumulative liability arising from or related to this limited warranty or the product will not exceed the amount actually paid for the product by the original purchaser.

8. LIMITATION OF LIABILITY.

The Nanit online services ("services") provide you information ("product information") regarding your Nanit products or other peripherals connected to your products ("product peripherals"). The type of product peripherals that may be connected to your product may change from time to time. Without limiting the generality of the disclaimers above, all product information is provided for your convenience, "as is", and "as available". Nanit does not represent, warrant, or guarantee that product information will be available, accurate, or reliable or that product information or use of the services or product will provide safety in your home. You use all product information, the services, and the product at your own discretion and risk. You will be solely responsible for (and Nanit disclaims) any and all loss, liability, or damages, including to your wiring, fixtures, electricity, home, product, product peripherals, computer, mobile device, and all other items and pets in your home, resulting from your use of the product information, services, or product. Product information provided by the services is not intended as a substitute for direct means of obtaining the information. For example, a notification provided through the service is not intended as a substitute for audible and visible indications in the home and on the product, nor for a parent checking on the child.

9. YOUR RIGHTS AND THIS LIMITED WARRANTY.

This Limited Warranty gives you specific legal rights. You may also have other legal rights that vary by state, province, or jurisdiction. Likewise, some of the limitations in this Limited Warranty may not apply in certain states. The terms of this Limited Warranty will apply to the extent permitted by applicable law. For a full description of your legal rights you should refer to the laws applicable in your jurisdiction and you may wish to contact a relevant consumer advisory service.

